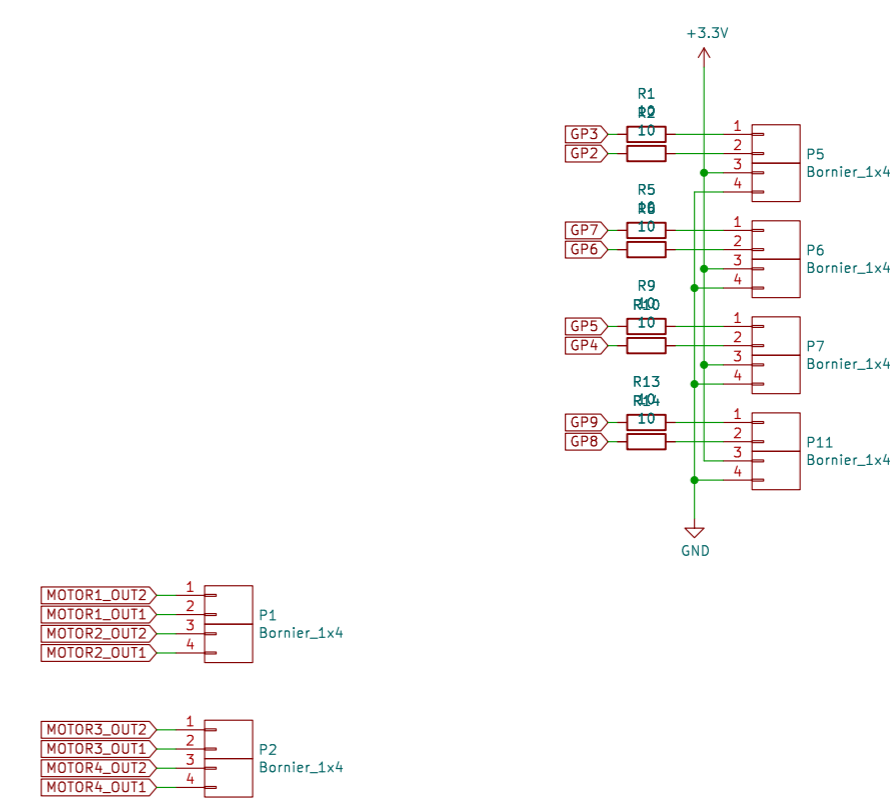
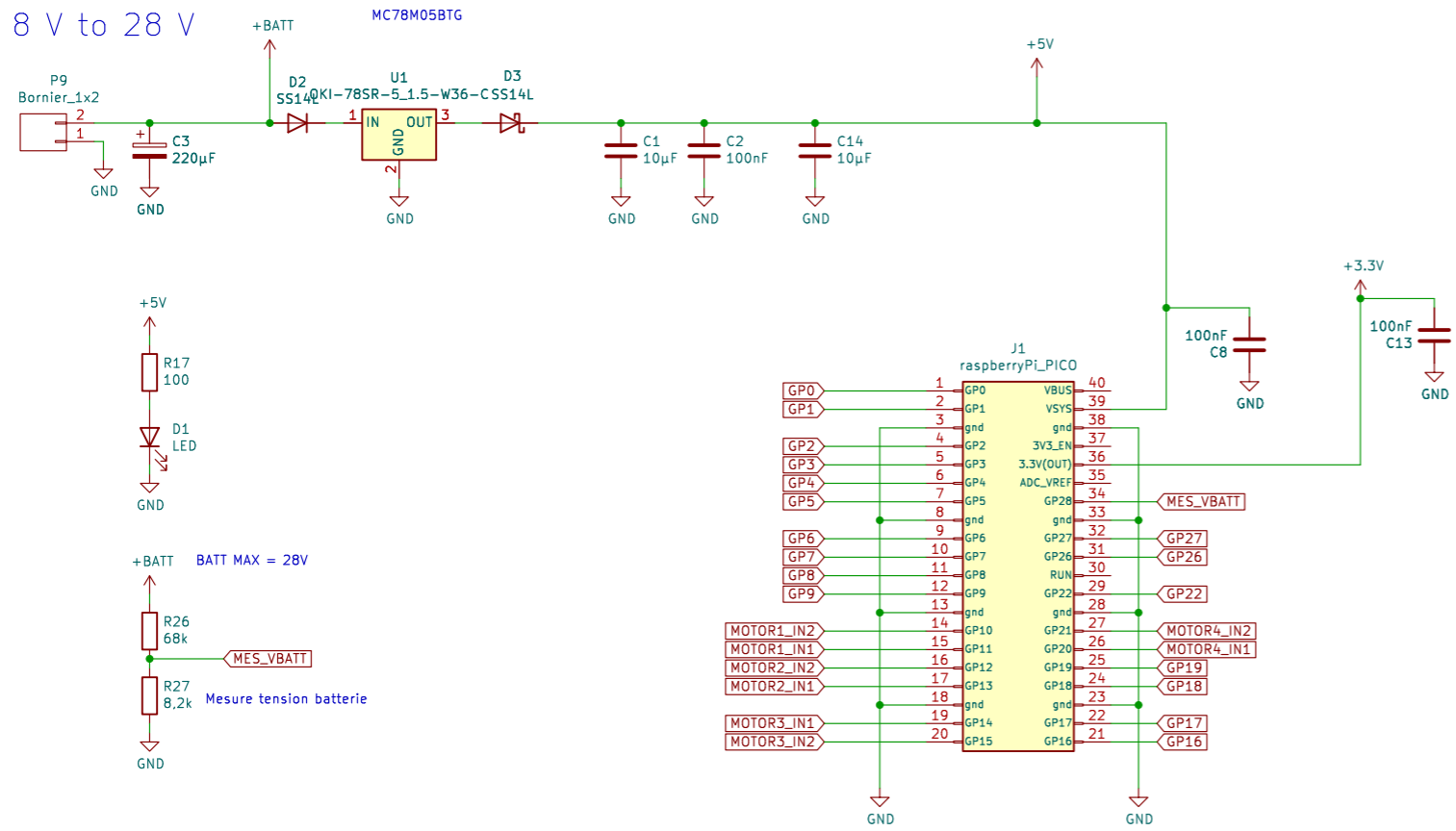


8 V to 28 V



Motors control

